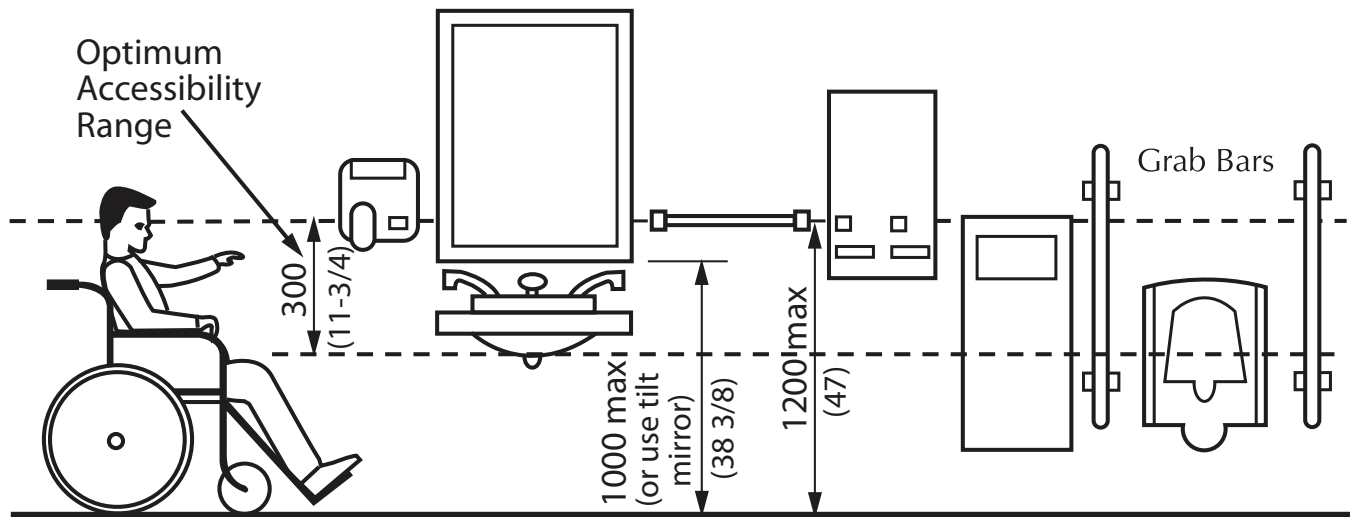


What makes a washroom accessible?



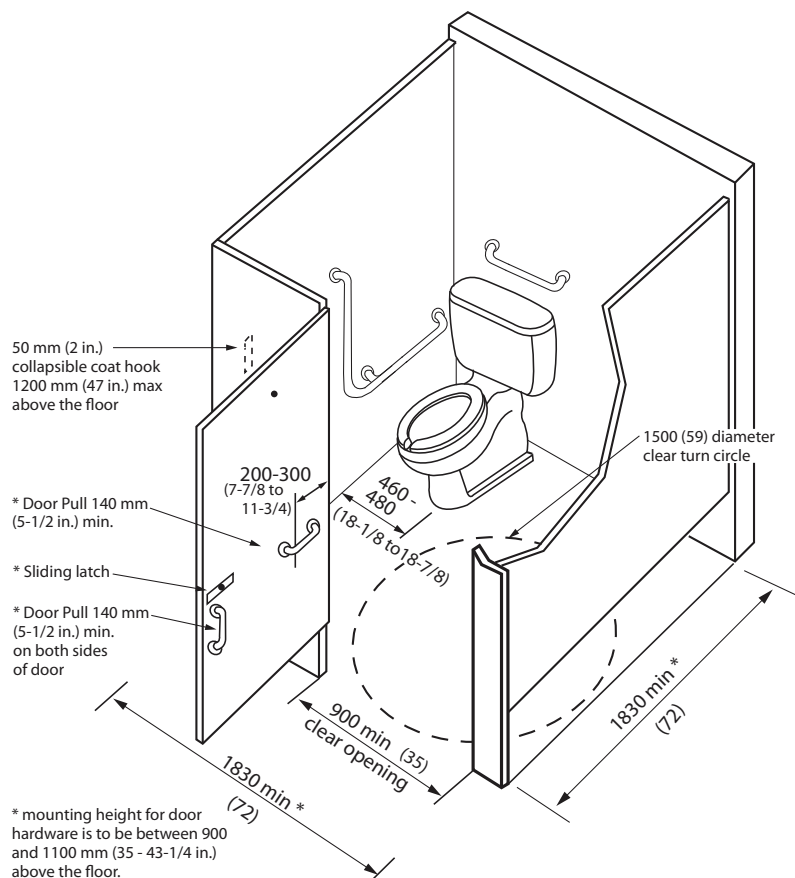
Sink

- Roll under with heat safe knee clearance (70 cm)
- Levered taps for operation with a closed fist
- Soap and paper towel dispenser within reach of sink max. 110 cm from floor

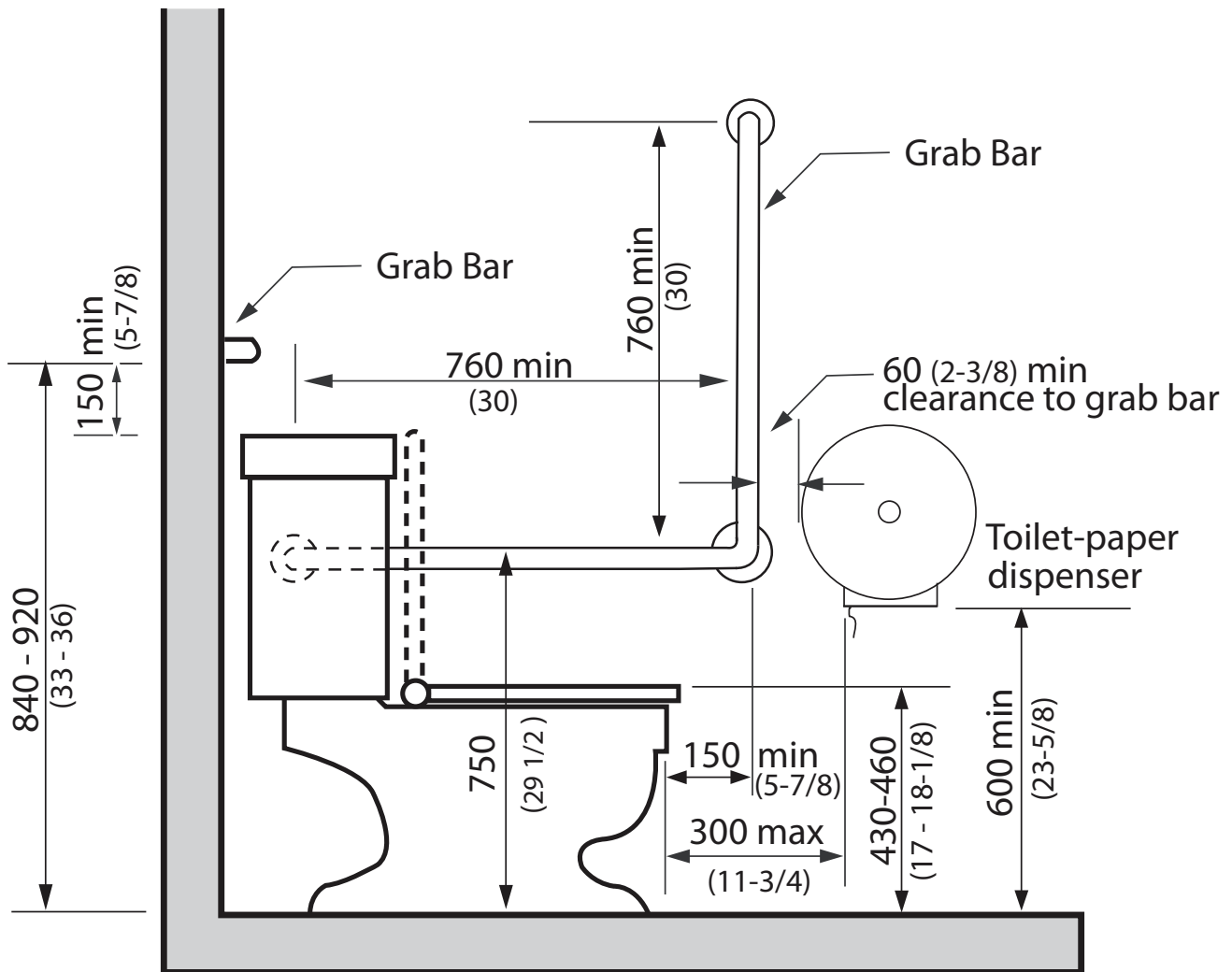


Stall

- Emergency call switch in front of grab bar
- Garbage near toilet but not in the way of a transfer
- Turning radius of 150 cm or greater
- Low hook (collapsible) 120 cm above floor
- Door swings outward with gravity hinges and “D” shaped door pull
- Mirror 100 cm above floor and at an incline above sink



Toilet and Grab Bars



- 43 cm - 46 cm tall; elongated bowl; front open seat
- Back support where there is no lid or tank; tank lid securely attached
- Toilet paper within 30 cm from front of toilet; NOT above horizontal grab bar
- Automatic flusher preferred or lever handle on transfer side of toilet
- Transfer space should be clear of obstructions
- L-Shaped grab bar on wall - horizontal bar 75 cm from floor and vertical bar 76 cm from back of toilet
- Horizontal Grab bar on wall 15 cm above toilet tank
- Drop down bar 76 cm long on free space side of toilet 75 cm above floor